



# 74ACT74

## DUAL D-TYPE FLIP FLOP WITH PRESET AND CLEAR

- HIGH SPEED:  
 $f_{MAX} = 250\text{MHz}$  (TYP.) at  $V_{CC} = 5\text{V}$
- LOW POWER DISSIPATION:  
 $I_{CC} = 4\mu\text{A}$ (MAX.) at  $T_A=25^\circ\text{C}$
- COMPATIBLE WITH TTL OUTPUTS  
 $V_{IH} = 2\text{V}$  (MIN.),  $V_{IL} = 0.8\text{V}$  (MAX.)
- $50\Omega$  TRANSMISSION LINE DRIVING CAPABILITY
- SYMMETRICAL OUTPUT IMPEDANCE:  
 $|I_{OH}| = I_{OL} = 24\text{mA}$  (MIN)
- BALANCED PROPAGATION DELAYS:  
 $t_{PLH} \cong t_{PHL}$
- OPERATING VOLTAGE RANGE:  
 $V_{CC}$  (OPR) = 4.5V to 5.5V
- PIN AND FUNCTION COMPATIBLE WITH 74 SERIES 74
- IMPROVED LATCH-UP IMMUNITY



### ORDER CODES

| PACKAGE | TUBE     | T & R      |
|---------|----------|------------|
| DIP     | 74ACT74B |            |
| SOP     | 74ACT74M | 74ACT74MTR |
| TSSOP   |          | 74ACT74TTR |

### DESCRIPTION

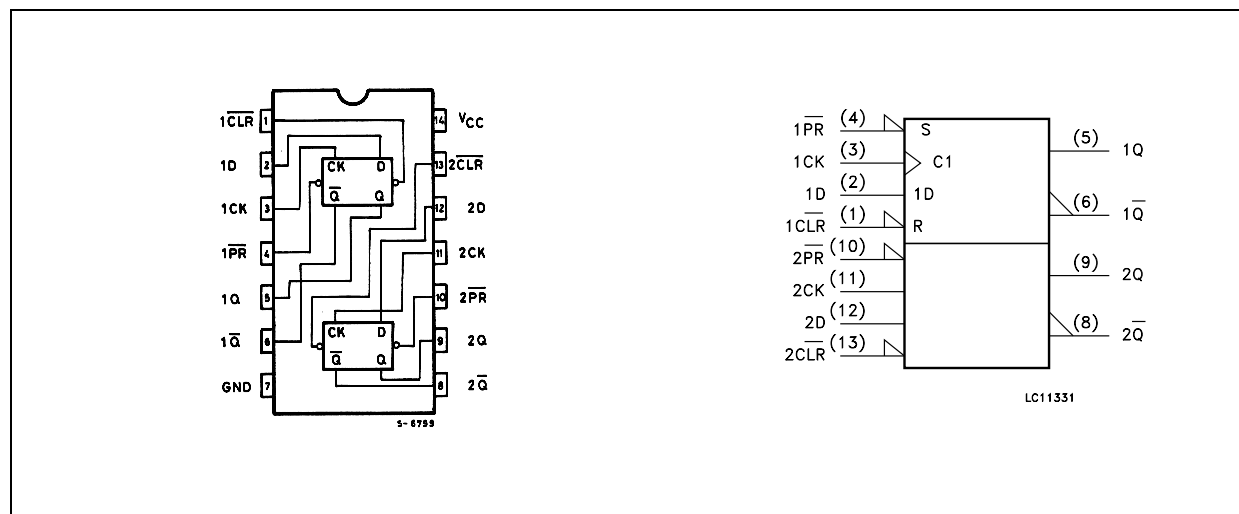
The 74ACT74 is an advanced high-speed CMOS DUAL D-TYPE FLIP FLOP WITH PRESET AND CLEAR fabricated with sub-micron silicon gate and double-layer metal wiring C<sup>2</sup>MOS technology. A signal on the D INPUT is transferred to the Q and  $\bar{Q}$  OUTPUTS during the positive going transition of the clock pulse.

CLEAR and PRESET are independent of the clock and accomplished by a low setting on the appropriate input.

The device is designed to interface directly High Speed CMOS systems with TTL, NMOS and CMOS output voltage levels.

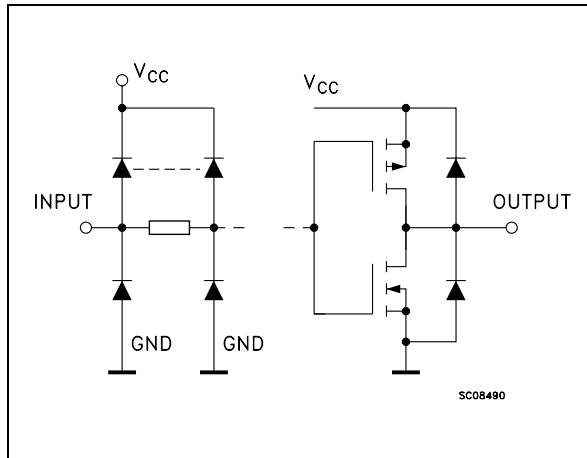
All inputs and outputs are equipped with protection circuits against static discharge, giving them 2KV ESD immunity and transient excess voltage.

### PIN CONNECTION AND IEC LOGIC SYMBOLS



# 74ACT74

## INPUT AND OUTPUT EQUIVALENT CIRCUIT



## PIN DESCRIPTION

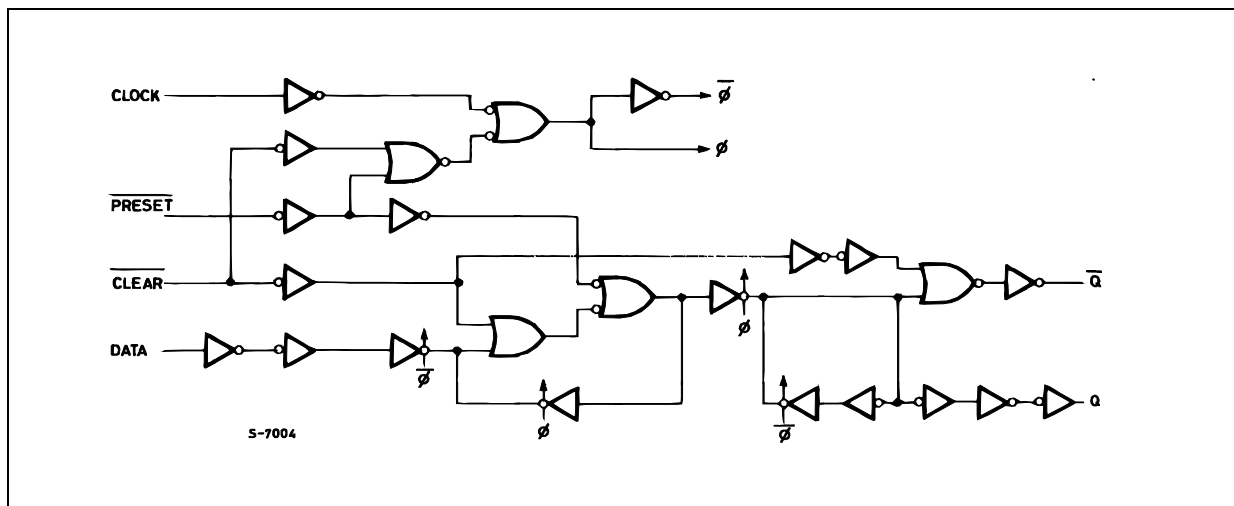
| PIN No | SYMBOL                             | NAME AND FUNCTION                         |
|--------|------------------------------------|---|
| 1, 13  | $\overline{1CLR}, \overline{2CLR}$ | Asynchronous Reset - Direct Input         |
| 2, 12  | 1D, 2D                             | Data Inputs                               |
| 3, 11  | 1CK, 2CK                           | Clock Input (LOW to HIGH, Edge Triggered) |
| 4, 10  | 1PR, 2PR                           | Asynchronous Set - Direct Input           |
| 5, 9   | 1Q, 2Q                             | True Flip-Flop Outputs                    |
| 6, 8   | $\overline{1Q}, \overline{2Q}$     | Complement Flip-Flop Outputs              |
| 7      | GND                                | Ground (0V)                               |
| 14     | V <sub>CC</sub>                    | Positive Supply Voltage                   |

## TRUTH TABLE

| INPUTS           |                 |   |    | OUTPUTS        |                  | FUNCTION  |
|------------------|-----------------|---|----|----------------|------------------|-----------|
| $\overline{CLR}$ | $\overline{PR}$ | D | CK | Q              | $\overline{Q}$   |           |
| L                | H               | X | X  | L              | L                | CLEAR     |
| H                | L               | X | X  | H              | L                | PRESET    |
| L                | L               | X | X  | H              | H                |           |
| H                | H               | L |    | L              | H                |           |
| H                | H               | H |    | H              | L                |           |
| H                | H               | X |    | Q <sub>n</sub> | $\overline{Q}_n$ | NO CHANGE |

X : Don't Care

## LOGIC DIAGRAM



This logic diagram has not be used to estimate propagation delays

**ABSOLUTE MAXIMUM RATINGS**

| Symbol                | Parameter                     | Value                  | Unit |
|-----------------------|-------------------------------|------------------------|------|
| $V_{CC}$              | Supply Voltage                | -0.5 to +7             | V    |
| $V_I$                 | DC Input Voltage              | -0.5 to $V_{CC} + 0.5$ | V    |
| $V_O$                 | DC Output Voltage             | -0.5 to $V_{CC} + 0.5$ | V    |
| $I_{IK}$              | DC Input Diode Current        | $\pm 20$               | mA   |
| $I_{OK}$              | DC Output Diode Current       | $\pm 20$               | mA   |
| $I_O$                 | DC Output Current             | $\pm 50$               | mA   |
| $I_{CC}$ or $I_{GND}$ | DC $V_{CC}$ or Ground Current | $\pm 200$              | mA   |
| $T_{stg}$             | Storage Temperature           | -65 to +150            | °C   |
| $T_L$                 | Lead Temperature (10 sec)     | 300                    | °C   |

Absolute Maximum Ratings are those values beyond which damage to the device may occur. Functional operation under these conditions is not implied.

**RECOMMENDED OPERATING CONDITIONS**

| Symbol   | Parameter  | Value         | Unit |
|----------|--|---------------|------|
| $V_{CC}$ | Supply Voltage   | 4.5 to 5.5    | V    |
| $V_I$    | Input Voltage  | 0 to $V_{CC}$ | V    |
| $V_O$    | Output Voltage   | 0 to $V_{CC}$ | V    |
| $T_{op}$ | Operating Temperature                                      | -55 to 125    | °C   |
| dt/dv    | Input Rise and Fall Time $V_{CC} = 4.5$ to $5.5V$ (note 1) | 8             | ns/V |

1)  $V_{IN}$  from 0.8V to 2.0V

## DC SPECIFICATIONS

| Symbol           | Parameter                          | Test Condition         |   | Value                 |       |       |             |      |              | Unit |      |
|------------------|------------------------------------|------------------------|---|-----------------------|-------|-------|-------------|------|--------------|------|------|
|                  |                                    | V <sub>CC</sub><br>(V) |   | T <sub>A</sub> = 25°C |       |       | -40 to 85°C |      | -55 to 125°C |      |      |
|                  |                                    |                        |   | Min.                  | Typ.  | Max.  | Min.        | Max. | Min.         |      | Max. |
| V <sub>IH</sub>  | High Level Input Voltage           | 4.5                    | V <sub>O</sub> = 0.1 V or V <sub>CC</sub> -0.1V | 2.0                   | 1.5   |       | 2.0         |      | 2.0          |      | V    |
|                  |                                    | 5.5                    |   | 2.0                   | 1.5   |       | 2.0         |      | 2.0          |      |      |
| V <sub>IL</sub>  | Low Level Input Voltage            | 4.5                    | V <sub>O</sub> = 0.1 V or V <sub>CC</sub> -0.1V |                       | 1.5   | 0.8   |             | 0.8  |              | 0.8  | V    |
|                  |                                    | 5.5                    |   |                       | 1.5   | 0.8   |             | 0.8  |              | 0.8  |      |
| V <sub>OH</sub>  | High Level Output Voltage          | 4.5                    | I <sub>O</sub> =-50 μA                          | 4.4                   | 4.49  |       | 4.4         |      | 4.4          |      | V    |
|                  |                                    | 5.5                    | I <sub>O</sub> =-50 μA                          | 5.4                   | 5.49  |       | 5.4         |      | 5.4          |      |      |
|                  |                                    | 4.5                    | I <sub>O</sub> =-24 mA                          | 3.86                  |       |       | 3.76        |      | 3.7          |      |      |
|                  |                                    | 5.5                    | I <sub>O</sub> =-24 mA                          | 4.86                  |       |       | 4.76        |      | 4.7          |      |      |
| V <sub>OL</sub>  | Low Level Output Voltage           | 4.5                    | I <sub>O</sub> =50 μA                           |                       | 0.001 | 0.1   |             | 0.1  |              | 0.1  | V    |
|                  |                                    | 5.5                    | I <sub>O</sub> =50 μA                           |                       | 0.001 | 0.1   |             | 0.1  |              | 0.1  |      |
|                  |                                    | 4.5                    | I <sub>O</sub> =24 mA                           |                       |       | 0.36  |             | 0.44 |              | 0.5  |      |
|                  |                                    | 5.5                    | I <sub>O</sub> =24 mA                           |                       |       | 0.36  |             | 0.44 |              | 0.5  |      |
| I <sub>I</sub>   | Input Leakage Current              | 5.5                    | V <sub>I</sub> = V <sub>CC</sub> or GND         |                       |       | ± 0.1 |             | ± 1  |              | ± 1  | μA   |
| I <sub>CC1</sub> | Max I <sub>CC</sub> /Input         | 5.5                    | V <sub>I</sub> = V <sub>CC</sub> - 2.1V         |                       | 0.6   |       |             | 1.5  |              | 1.6  | mA   |
| I <sub>CC</sub>  | Quiescent Supply Current           | 5.5                    | V <sub>I</sub> = V <sub>CC</sub> or GND         |                       |       | 4     |             | 40   |              | 40   | μA   |
| I <sub>OLD</sub> | Dynamic Output Current (note 1, 2) | 5.5                    | V <sub>OLD</sub> = 1.65 V max                   |                       |       |       |             | 75   |              | 50   | mA   |
| I <sub>OHD</sub> |                                    |                        | V <sub>OHD</sub> = 3.85 V min                   |                       |       |       |             | -75  |              | -50  | mA   |

1) Maximum test duration 2ms, one output loaded at a time

2) Incident wave switching is guaranteed on transmission lines with impedances as low as 50Ω

AC ELECTRICAL CHARACTERISTICS (C<sub>L</sub> = 50 pF, R<sub>L</sub> = 500 Ω, Input t<sub>r</sub> = t<sub>f</sub> = 3ns)

| Symbol                            | Parameter  | Test Condition         |  | Value                 |      |      |             |      |              | Unit |      |
|-----------------------------------|--|------------------------|--|-----------------------|------|------|-------------|------|--------------|------|------|
|                                   |  | V <sub>CC</sub><br>(V) |  | T <sub>A</sub> = 25°C |      |      | -40 to 85°C |      | -55 to 125°C |      |      |
|                                   |  |                        |  | Min.                  | Typ. | Max. | Min.        | Max. | Min.         |      | Max. |
| t <sub>PLH</sub> t <sub>PHL</sub> | Propagation Delay Time CK to Q or $\bar{Q}$                | 5.0 <sup>(*)</sup>     |  |                       | 5.0  | 10.0 |             | 11.0 |              | 11.0 | ns   |
| t <sub>PLH</sub> t <sub>PHL</sub> | Propagation Delay Time $\bar{PR}$ or CLR to Q or $\bar{Q}$ | 5.0 <sup>(*)</sup>     |  |                       | 5.0  | 10.0 |             | 11.0 |              | 11.0 | ns   |
| t <sub>w</sub>                    | Pulse Width HIGH or LOW, CK or $\bar{PR}$ or CLR           | 5.0 <sup>(*)</sup>     |  |                       | 1.5  | 5.0  |             | 6.0  |              | 6.0  | ns   |
| t <sub>s</sub>                    | Setup Time D to CK HIGH or LOW                             | 5.0 <sup>(*)</sup>     |  |                       | 0.5  | 3.0  |             | 3.5  |              | 3.5  | ns   |
| t <sub>h</sub>                    | Hold Time D to CK HIGH or LOW                              | 5.0 <sup>(*)</sup>     |  |                       | -0.5 | 1.0  |             | 1.0  |              | 1.0  | ns   |
| t <sub>REM</sub>                  | Removal Time $\bar{PR}$ or CLR to CK                       | 5.0 <sup>(*)</sup>     |  |                       | -0.7 | 1.0  |             | 1.0  |              | 1.0  | ns   |
| f <sub>MAX</sub>                  | Maximum Clock Frequency                                    | 5.0 <sup>(*)</sup>     |  | 100                   | 250  |      | 85          |      | 85           |      | MHz  |

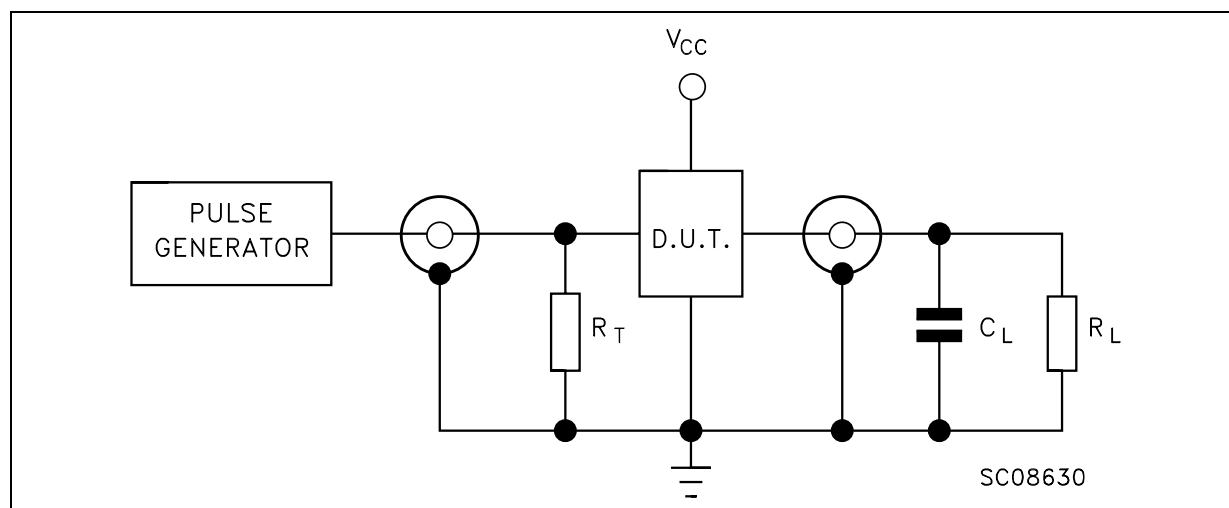
(\*) Voltage range is 5.0V ± 0.5V

## CAPACITIVE CHARACTERISTICS

| Symbol          | Parameter                              | Test Condition         |                         | Value                 |      |      |             |      |              | Unit |      |
|-----------------|--|------------------------|-------------------------|-----------------------|------|------|-------------|------|--------------|------|------|
|                 |  | V <sub>CC</sub><br>(V) |                         | T <sub>A</sub> = 25°C |      |      | -40 to 85°C |      | -55 to 125°C |      |      |
|                 |  |                        |                         | Min.                  | Typ. | Max. | Min.        | Max. | Min.         |      | Max. |
| C <sub>IN</sub> | Input Capacitance                      | 5.0                    |                         |                       | 3    |      |             |      |              |      | pF   |
| C <sub>PD</sub> | Power Dissipation Capacitance (note 1) | 5.0                    | f <sub>IN</sub> = 10MHz |                       | 43   |      |             |      |              |      | pF   |

1) C<sub>PD</sub> is defined as the value of the IC's internal equivalent capacitance which is calculated from the operating current consumption without load. (Refer to Test Circuit). Average operating current can be obtained by the following equation. I<sub>CC(oper)</sub> = C<sub>PD</sub> × V<sub>CC</sub> × f<sub>IN</sub> + I<sub>CC</sub>/2 (per Flip-Flop)

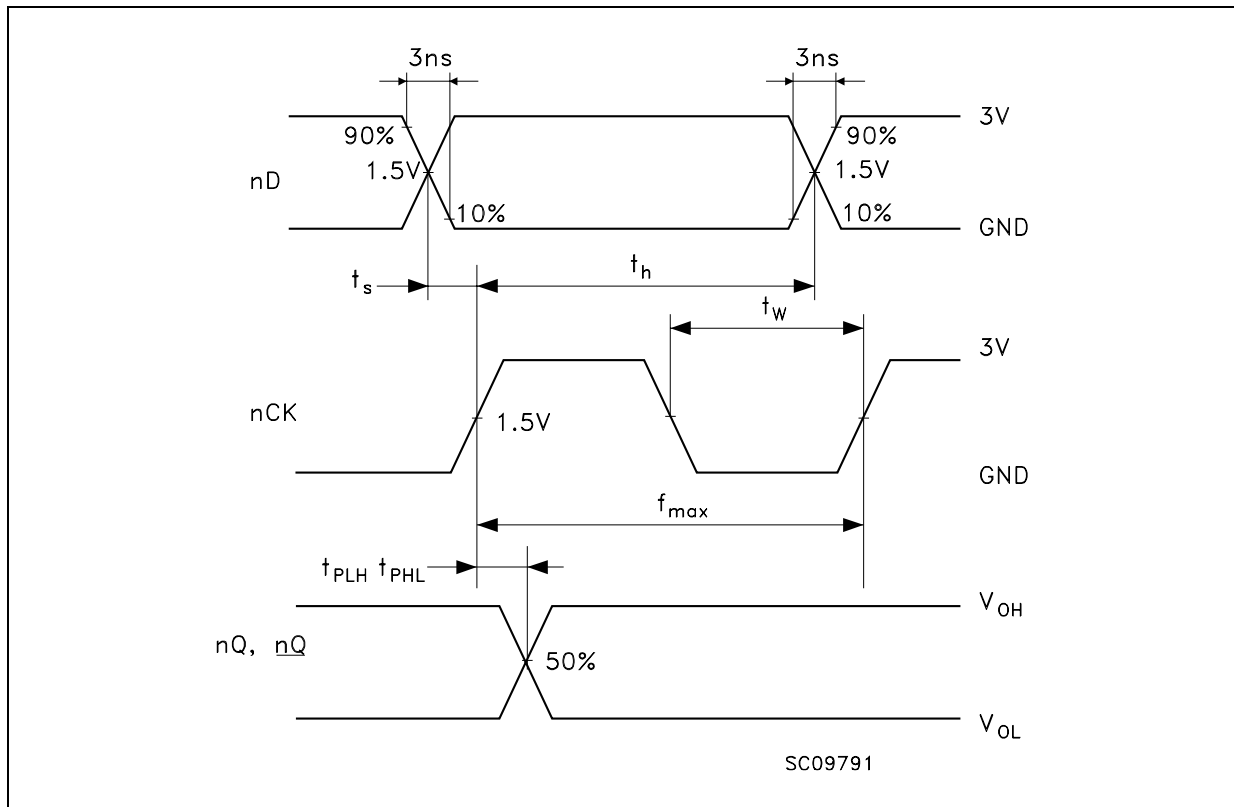
## TEST CIRCUIT

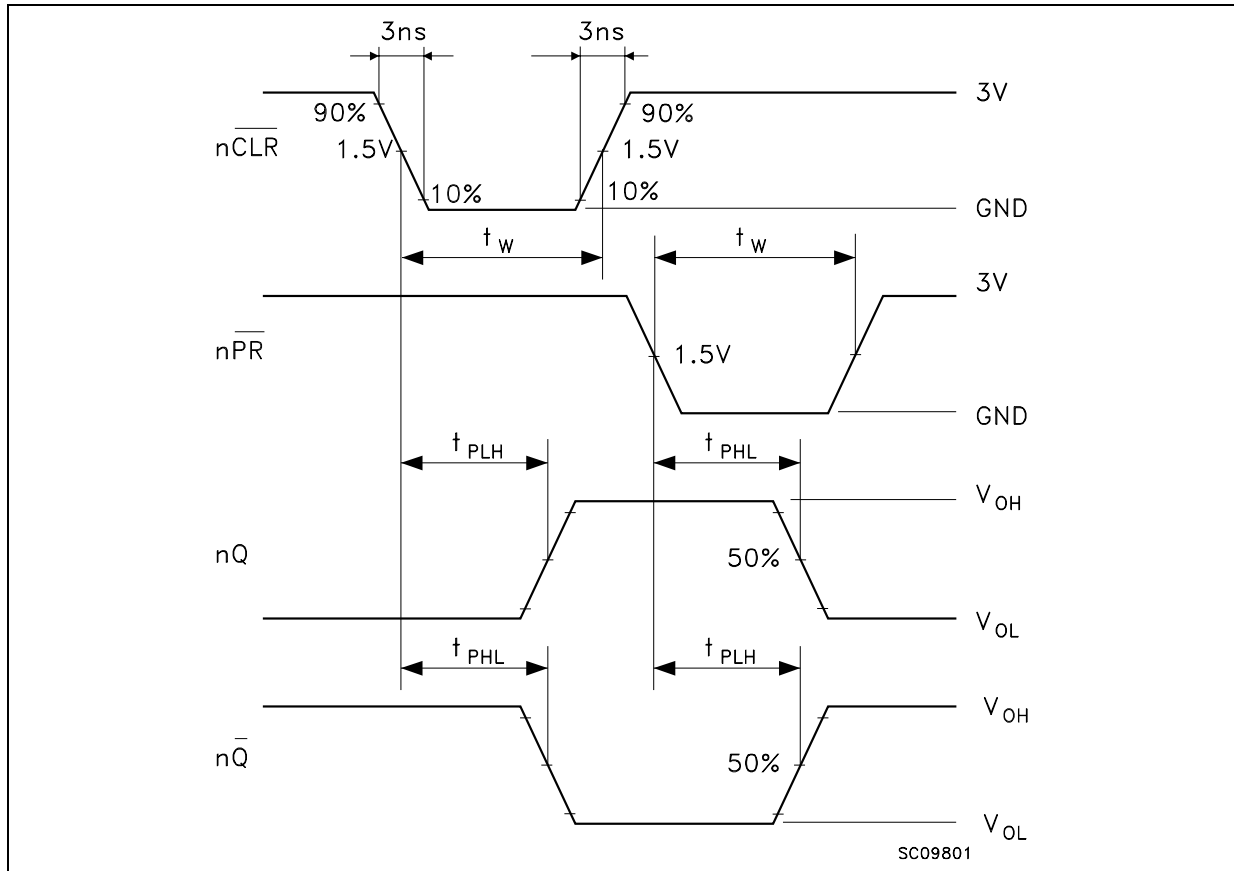


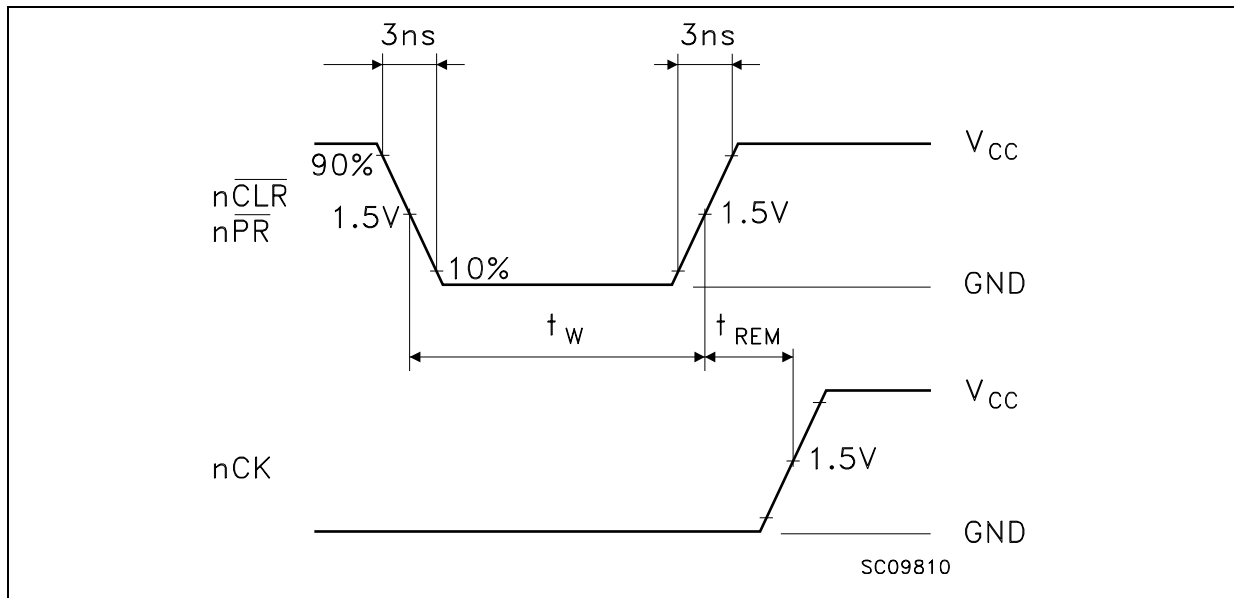
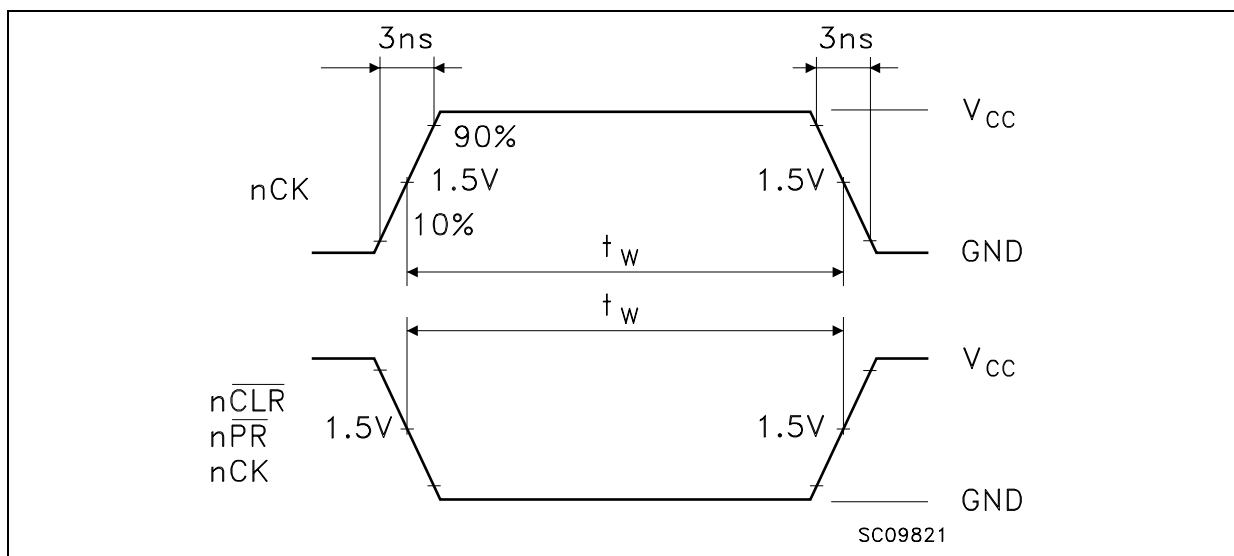
C<sub>L</sub> = 50pF or equivalent (includes jig and probe capacitance)

R<sub>L</sub> = R<sub>1</sub> = 500Ω or equivalent

R<sub>T</sub> = Z<sub>OUT</sub> of pulse generator (typically 50Ω)

WAVEFORM 1: PROPAGATION DELAYS, SETUP AND HOLD TIMES ( $f=1\text{MHz}$ ; 50% duty cycle)

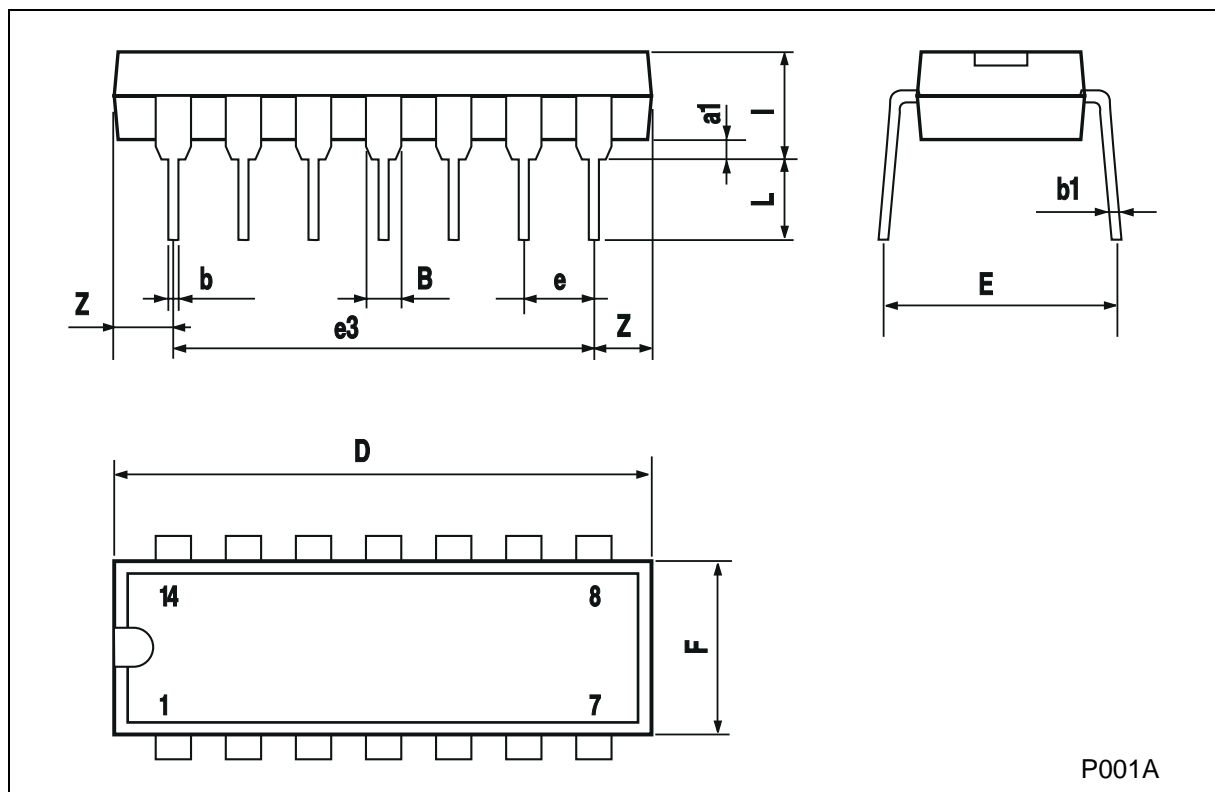
WAVEFORM 2: PROPAGATION DELAYS ( $f=1\text{MHz}$ ; 50% duty cycle)

**WAVEFORM 3: RECOVERY TIMES** ( $f=1\text{MHz}$ ; 50% duty cycle)**WAVEFORM 4: PULSE WIDTH**



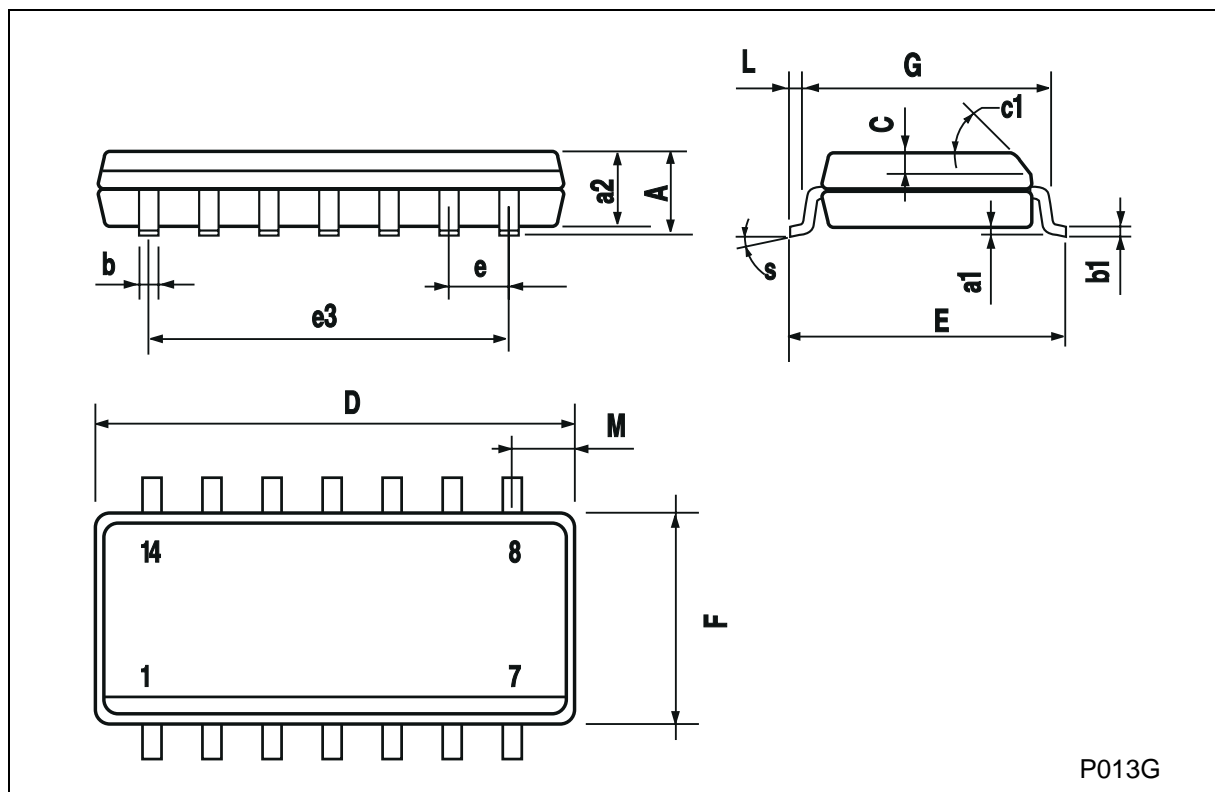
## Plastic DIP-14 MECHANICAL DATA

| DIM. | mm   |       |      | inch  |       |       |
|------|------|-------|------|-------|-------|-------|
|      | MIN. | TYP.  | MAX. | MIN.  | TYP.  | MAX.  |
| a1   | 0.51 |       |      | 0.020 |       |       |
| B    | 1.39 |       | 1.65 | 0.055 |       | 0.065 |
| b    |      | 0.5   |      |       | 0.020 |       |
| b1   |      | 0.25  |      |       | 0.010 |       |
| D    |      |       | 20   |       |       | 0.787 |
| E    |      | 8.5   |      |       | 0.335 |       |
| e    |      | 2.54  |      |       | 0.100 |       |
| e3   |      | 15.24 |      |       | 0.600 |       |
| F    |      |       | 7.1  |       |       | 0.280 |
| I    |      |       | 5.1  |       |       | 0.201 |
| L    |      | 3.3   |      |       | 0.130 |       |
| Z    | 1.27 |       | 2.54 | 0.050 |       | 0.100 |



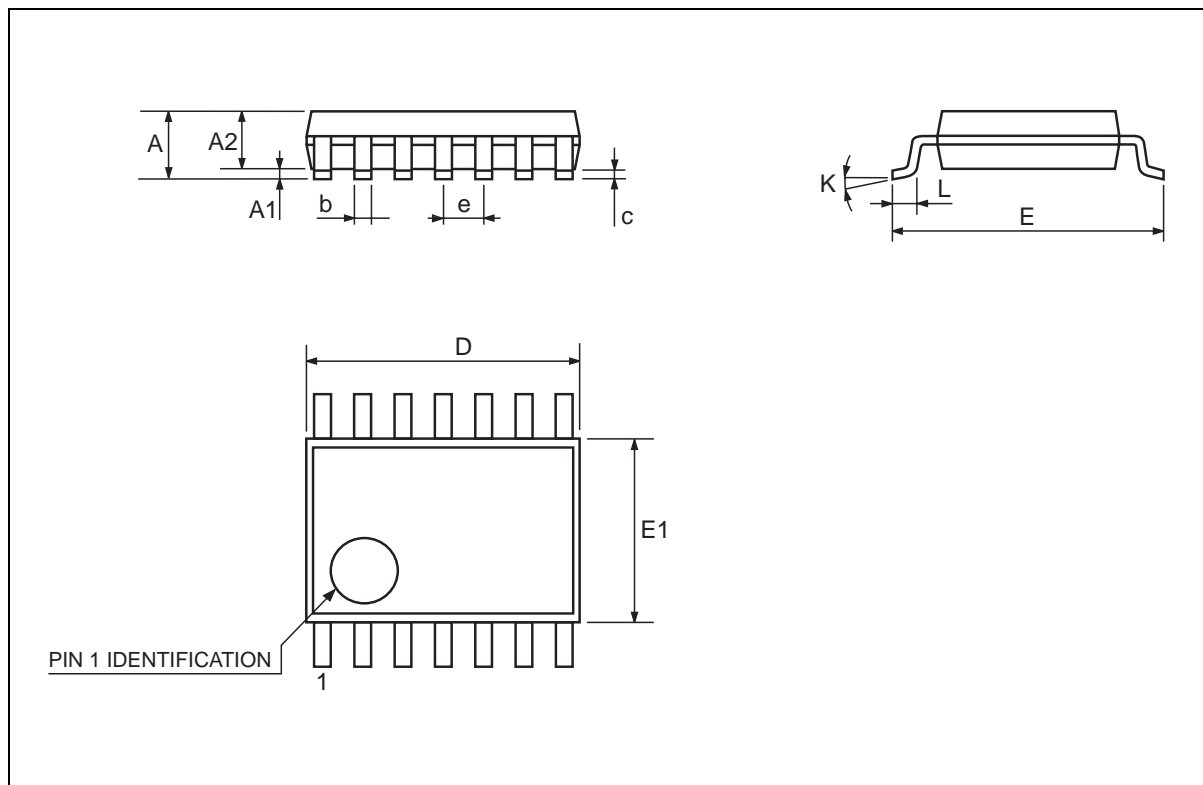
## SO-14 MECHANICAL DATA

| DIM. | mm        |      |      | inch  |       |       |
|------|-----------|------|------|-------|-------|-------|
|      | MIN.      | TYP. | MAX. | MIN.  | TYP.  | MAX.  |
| A    |           |      | 1.75 |       |       | 0.068 |
| a1   | 0.1       |      | 0.2  | 0.003 |       | 0.007 |
| a2   |           |      | 1.65 |       |       | 0.064 |
| b    | 0.35      |      | 0.46 | 0.013 |       | 0.018 |
| b1   | 0.19      |      | 0.25 | 0.007 |       | 0.010 |
| C    |           | 0.5  |      |       | 0.019 |       |
| c1   | 45 (typ.) |      |      |       |       |       |
| D    | 8.55      |      | 8.75 | 0.336 |       | 0.344 |
| E    | 5.8       |      | 6.2  | 0.228 |       | 0.244 |
| e    |           | 1.27 |      |       | 0.050 |       |
| e3   |           | 7.62 |      |       | 0.300 |       |
| F    | 3.8       |      | 4.0  | 0.149 |       | 0.157 |
| G    | 4.6       |      | 5.3  | 0.181 |       | 0.208 |
| L    | 0.5       |      | 1.27 | 0.019 |       | 0.050 |
| M    |           |      | 0.68 |       |       | 0.026 |
| S    | 8 (max.)  |      |      |       |       |       |



## TSSOP14 MECHANICAL DATA

| DIM. | mm   |          |      | inch   |            |        |
|------|------|----------|------|--------|------------|--------|
|      | MIN. | TYP.     | MAX. | MIN.   | TYP.       | MAX.   |
| A    |      |          | 1.1  |        |            | 0.433  |
| A1   | 0.05 | 0.10     | 0.15 | 0.002  | 0.004      | 0.006  |
| A2   | 0.85 | 0.9      | 0.95 | 0.335  | 0.354      | 0.374  |
| b    | 0.19 |          | 0.30 | 0.0075 |            | 0.0118 |
| c    | 0.09 |          | 0.20 | 0.0035 |            | 0.0079 |
| D    | 4.9  | 5        | 5.1  | 0.193  | 0.197      | 0.201  |
| E    | 6.25 | 6.4      | 6.5  | 0.246  | 0.252      | 0.256  |
| E1   | 4.3  | 4.4      | 4.48 | 0.169  | 0.173      | 0.176  |
| e    |      | 0.65 BSC |      |        | 0.0256 BSC |        |
| K    | 0°   | 4°       | 8°   | 0°     | 4°         | 8°     |
| L    | 0.50 | 0.60     | 0.70 | 0.020  | 0.024      | 0.028  |



Information furnished is believed to be accurate and reliable. However, STMicroelectronics assumes no responsibility for the consequences of use of such information nor for any infringement of patents or other rights of third parties which may result from its use. No license is granted by implication or otherwise under any patent or patent rights of STMicroelectronics. Specifications mentioned in this publication are subject to change without notice. This publication supersedes and replaces all information previously supplied. STMicroelectronics products are not authorized for use as critical components in life support devices or systems without express written approval of STMicroelectronics.

© The ST logo is a registered trademark of STMicroelectronics

© 2001 STMicroelectronics - Printed in Italy - All Rights Reserved  
STMicroelectronics GROUP OF COMPANIES

Australia - Brazil - China - Finland - France - Germany - Hong Kong - India - Italy - Japan - Malaysia - Malta - Morocco  
Singapore - Spain - Sweden - Switzerland - United Kingdom

© <http://www.st.com>